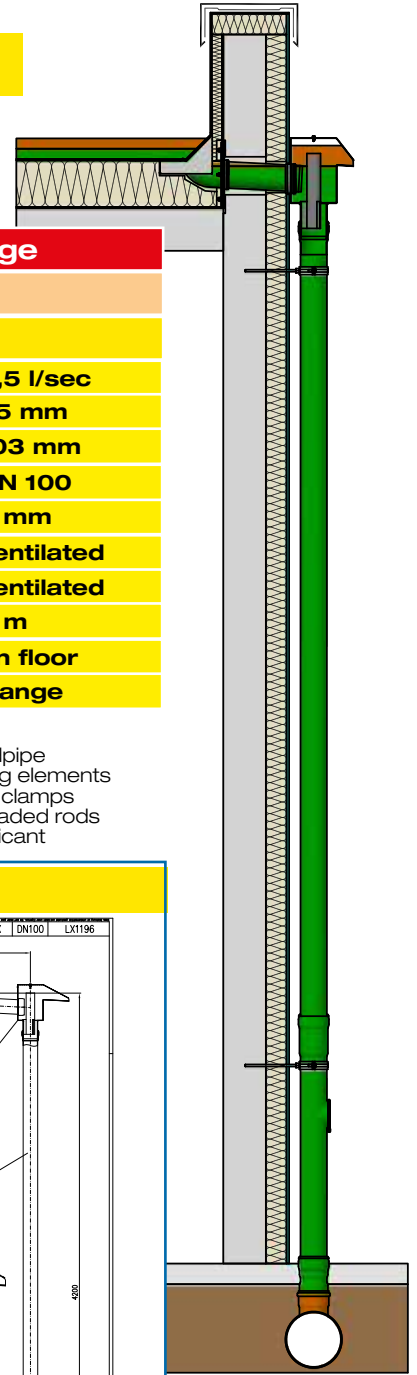


# Specification sheet LX 1196

## Parapet drainage

Series 43 LORO-X DUOFLUX®

Double pipe - with basin -

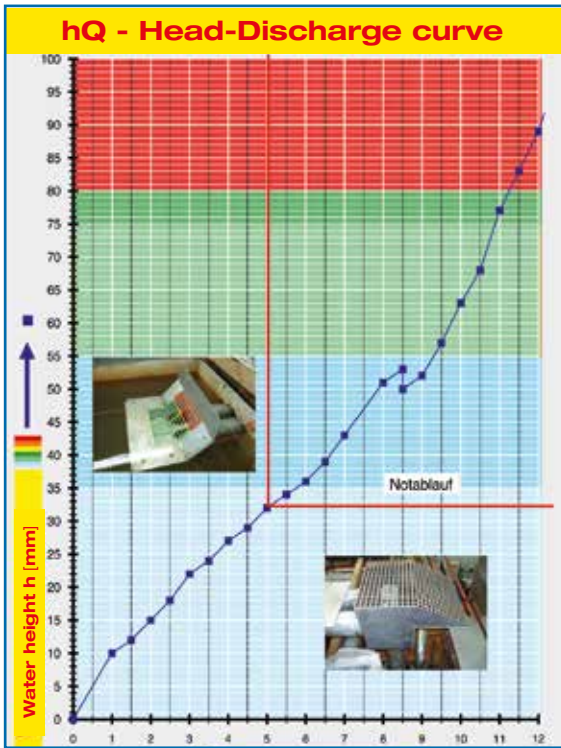


Main drainage		Emergency drainage	
Gravity flow		Gravity flow	
Silent		Silent	
<b>Discharge rate:</b>	<b>4,5 l/sec</b>	<b>Discharge rate:</b>	<b>4,5 l/sec</b>
<b>Water height:</b>	<b>35 mm</b>	<b>Water height:</b>	<b>75 mm</b>
<b>Roof penetration:</b>	<b>103 mm</b>	<b>Roof penetration:</b>	<b>103 mm</b>
<b>Diameter:</b>	<b>DN 100</b>	<b>Diameter:</b>	<b>DN 100</b>
<b>Weir height:</b>	<b>0 mm</b>	<b>Weir height:</b>	<b>0 mm</b>
<b>Drain:</b>	<b>ventilated</b>	<b>Drain:</b>	<b>ventilated</b>
<b>Downpipe:</b>	<b>ventilated</b>	<b>Downpipe:</b>	<b>ventilated</b>
<b>Downpipe height:</b>	<b>4,2 m</b>	<b>Downpipe height:</b>	<b>0 m</b>
<b>Drainage:</b>	<b>in sewer</b>	<b>Drainage:</b>	<b>on floor</b>
<b>Flange form:</b>	<b>Bonding flange</b>	<b>Flange form:</b>	<b>Bonding flange</b>

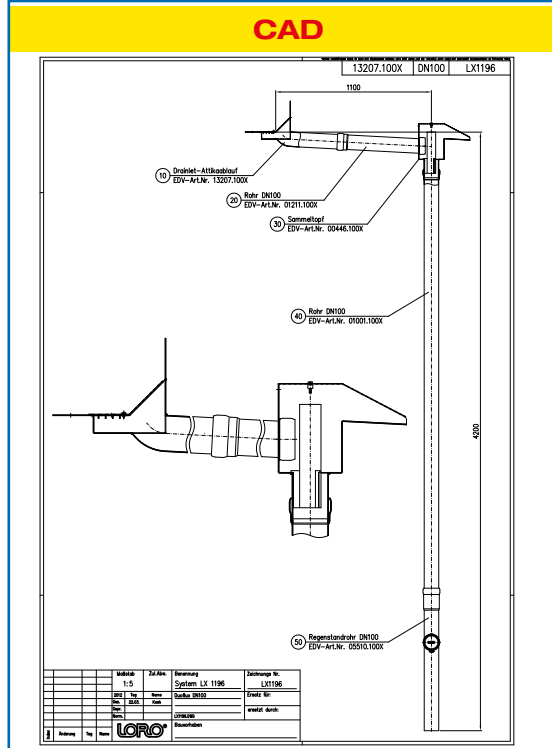
### LX 1196 Piece list

- 1 x Art.-No. 13207.100X, LORO-X DUOFLUX® Double pipe
- 2 x Art.-No. 01211.100X, LORO-X Pipe with one socket
- 1 x Art.-No. 00446.100X, LORO-Collector
- 1 x Art.-No. 13228.100X, LORO-X Sliding flange
- 2 x Art.-No. 00806.100X, LORO-X Anchor clips
- 1 x Art.-No. 01001.100X, LORO-X Pipe with one socket

- 1 x Art.-No. 05510.100X, LORO-X Standpipe
- 4 x Art.-No. 00911.100X, LORO-X Sealing elements
- 3 x Art.-No. 00975.100X, LORO-X Pipe clamps
- 3 x Art.-No. 09603.200X, LORO-X Threaded rods
- 1 x Art.-No. 00986.000X, LORO-X Lubricant



**Systempower**



**Systemshape**

Water height	mm	5	10	15	20	25	30	35	40	45	50	55	60	65	70	75
Discharge	l/sec		0,7	1,2	1,9	2,7	3,7	4,7	5,7	6,7	6,7	8,1	8,7	9,5	9,8	10,1
<b>Silent</b>																

Anforderungen gemäß DIN 1986-100 sind erfüllt.

**LORO-X DUOFLUX® Parapet double pipe**

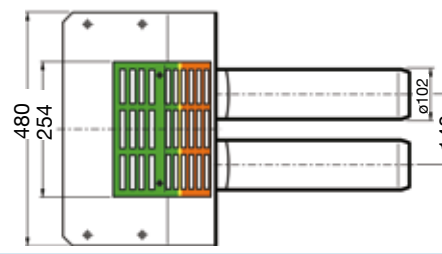
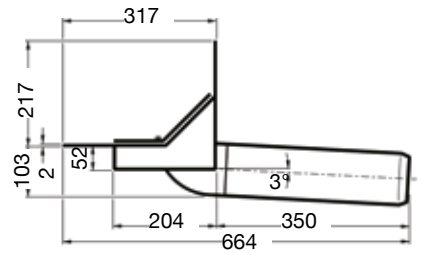
**LX1196-3X**

**Series 43**

Drain: Art.-No. 13207.100X

Weight: 8,2 kg

**with bonding flange**  
for bituminous roofing sheets



**LORO-X Collector,**

for double pipe drains,  
made of galvanized steel, DN 100  
Art.-No. 00446.100X  
Weight: 8,0 kg



**LORO-X Standpipe**

with cleaning opening, made of galvanized steel, DN 100  
Art.-No. 05510.100X  
Weight: 4,5 kg



**LORO-X Sliding flange**

for attaching the vapor barrier, fixed and loose flange  
construction  
Art.-No. 13228.100X  
Weight: 5,1 kg

